

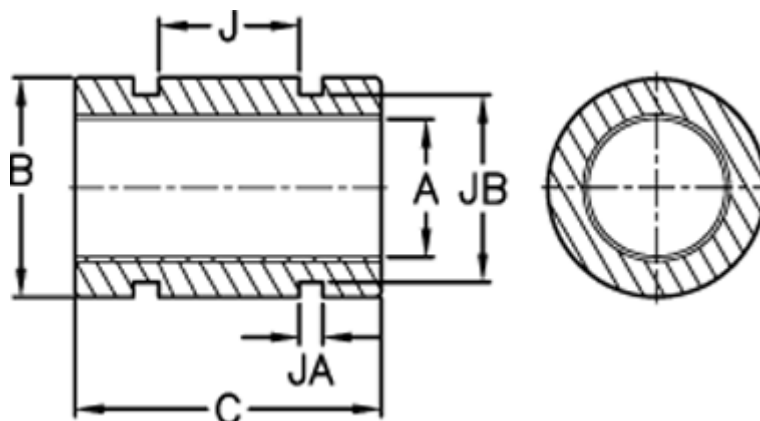
Data Sheet



Article number: 50120251

Description: Thin wall bearing FMTC 25

Measures



A max	= 25.129000000000001	For o-ring	= 30,5 x 2,5
A min	= 25.096	J	= 22
B max	= 35	JA	= 3.2
B min	= 34.975000000000001	JB	= 30.9
Bush weight kg	= 0.0439	Static load (kg)	= 2100
C max	= 40	Surface area kcm	= 10
C min	= 39.746000000000002		
Concentric mm	= 0.0254		